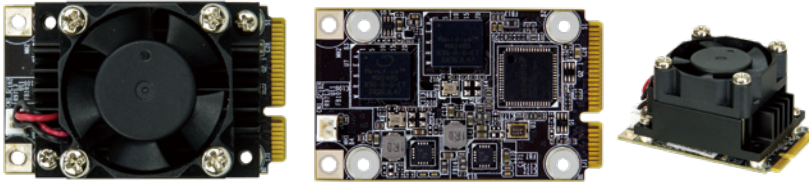


Mustang-MPCI-E-MX2



Feature

- miniPCIe form factor (30 x 50 mm)
- 2 x Intel® Movidius™ Myriad™ X VPU MA2485
- Power efficiency, approximate 7.5W
- Operating Temperature -20°C~60°C
- Powered by Intel's OpenVINO™ toolkit

intel
MOVIDIUS

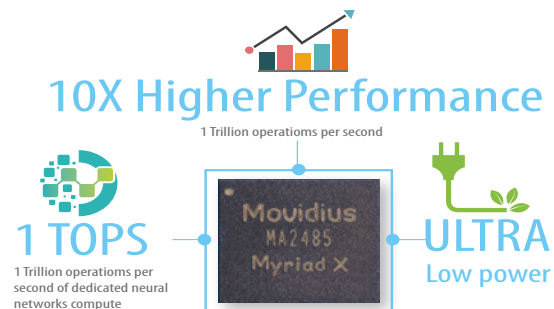
Introduction

The Mustang-MPCI-E-MX2 card included two Intel® Movidius™ Myriad™ X VPU, providing an flexible AI inference solution for compact size and embedded systems.

VPU is short for vision processing unit. It can run AI faster, and is well suited for low power consumption applications such as surveillance, retail, transportation. With the advantage of power efficiency and high performance to dedicate DNN topologies, it is perfect to be implemented in AI edge computing device to reduce total power usage, providing longer duty time for the rechargeable edge computing equipment.

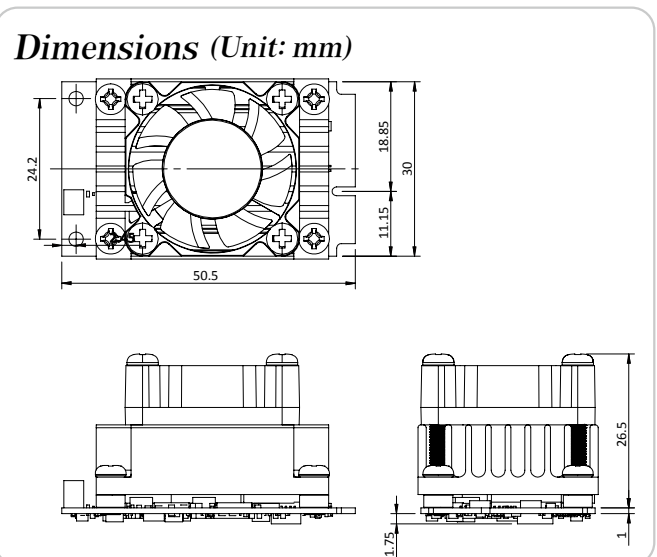
Key Features of Intel® Movidius™ Myriad™ X VPU:

- Native FP16 support
- Rapidly port and deploy neural networks in Caffe and Tensorflow formats
- End-to-End acceleration for many common deep neural networks
- Industry-leading Inferences/S/Watt performance



Specifications

Model Name	Mustang-MPCI-E-MX2
Main Chip	2 x Intel® Movidius™ Myriad™ X MA2485 VPU
Operating Systems	Ubuntu 16.04.3 LTS 64bit, CentOS 7.4 64bit, Windows® 10 64bit
Dataplane Interface	miniPCIe
Power Consumption	Approximate 7.5W
Operating Temperature	-20°C~60°C
Cooling	Active Heatsink
Dimensions	30 x 50 mm
Operating Humidity	5% ~ 90%
Support Topology	AlexNet, GoogleNetV1/V2, MobileNet SSD, MobileNetV1/V2, MTCNN, Squeezenet1.0/1.1, Tiny Yolo V1 & V2, Yolo V2, ResNet-18/50/101 * For more topologies support information please refer to Intel® OpenVINO™ Toolkit official website.



Ordering Information

Part No.	Description
Mustang-MPCI-E-MX2-R10	Deep learning inference accelerating miniPCIe card with 2 x Intel® Movidius™ Myriad™ X MA2485 VPU, miniPCIe interface 30mm x 50mm, RoHS